

# Juniper

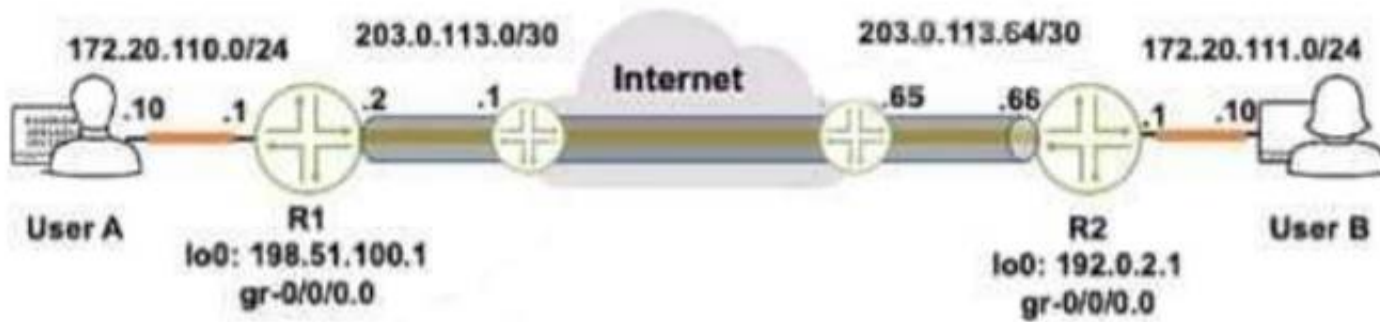
## Exam Questions JN0-363

Service Provider Routing and Switching Specialist (JNCIS-SP)



**NEW QUESTION 1**

Exhibit



Referring to the exhibit, how do you verify the status of the tunnel from R1?

- A. Issue the ping 172.20.111.10 source 172.20.110.1 command.
- B. Issue the ping 172.20.111.10 source 198.51.100.1 command.
- C. Issue the ping 172.20.iii.io source 203.0.113.2 command.
- D. Issue the ping 172.20. II
- E. 10 command.

**Answer: C**

**NEW QUESTION 2**

Which statement is correct about the FE80::/10 prefix?

- A. This prefix range is used for the link local address.
- B. This prefix range is used on the loopback interface.
- C. This prefix range is reserved for multicast applications
- D. This prefix range is not reserved.

**Answer: A**

**NEW QUESTION 3**

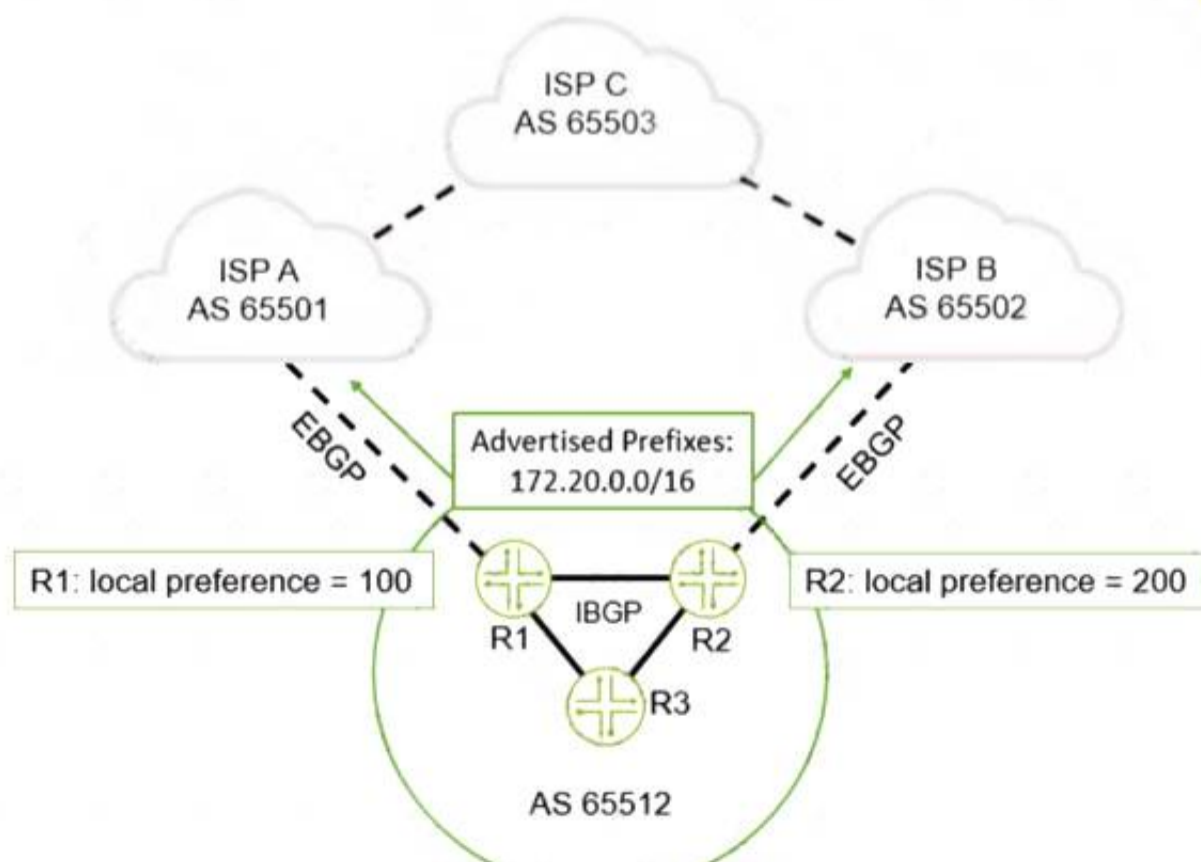
You have created a routing instance named vr3 that will provide access to Server 2 (10.0.0.2) (or the hosts on the 10.10.10.0/24 network. Which command would you use to test connectivity between vr3 and Server 2?

- A. user@vr3> ping 10.0.0.2 count 5
- B. user@vr3> ping 10.0.0.2 count 5 source 10.10.10.1
- C. user@router1> ping 10.0.0.2 count 5
- D. user@router1> ping 10.0.0.2 routing-instance vr3 count 5

**Answer: C**

**NEW QUESTION 4**

Exhibit



You are advertising a summary route that represents your local network (172.20.0.0/16) to both ISP A and ISPB. You want to influence all traffic sent to you from ISP C to go through R2.

How would you accomplish this task?

- A. On R1, prepend your AS number three times on the 172.20.0.0/16 route when advertising it to ISP 1.
- B. On R1, change the local preference value to 250.

- C. On R2, prepend your AS number three times on the 172.20.0.0/16 route when advertising it to ISP 2.
- D. On R2, change the local preference value to 50.

**Answer: B**

#### NEW QUESTION 5

Exhibit

```
[edit]
user@router# show interfaces ge-0/0/0
unit 0 {
    family bridge {
        interface-mode trunk;
        vlan-id-list 101-120;
    }
}
[edit]
user@router# show interfaces ge-0/0/1
flexible-vlan-tagging;
unit 0 {
    vlan-id 200;
    family bridge {
        interface-mode trunk;
        inner-vlan-id-list 101-120;
    }
    ...
}
[edit]
user@router# show bridge-domains
...
[edit]
user@router# show bridge-domains
bd {
    vlan-id-list 101-120;
}
}
```

Referring to the exhibit, which two statements are correct? (Choose two.)

- A. Traffic ingressing ge-0/0/0 that is tagged with VLAN 101 will egress ge-0/0/1 unchanged.
- B. Traffic ingressing ge-0/0/0 that is tagged with VLAN 100 will be dropped.
- C. Traffic ingressing ge0/0/0 that is tagged with VLAN 200 will egress ge-0/0/1 with an outer VLAN tag of 200.
- D. Traffic ingressing ge-0/0/0 that is tagged with VLAN 101 will egress ge-0/0/1 with an outer VLAN tag of 200.

**Answer: AB**

#### NEW QUESTION 6

What is a key differentiator of generate routes from aggregate routes?

- A. Generate routes use a forwarding next hop.
- B. Generate routes have a default next-hop value of reject.
- C. Generate routes have a default preference value of 210.
- D. Generate routes cannot be used as a gateway of last resort.

**Answer: C**

#### NEW QUESTION 7

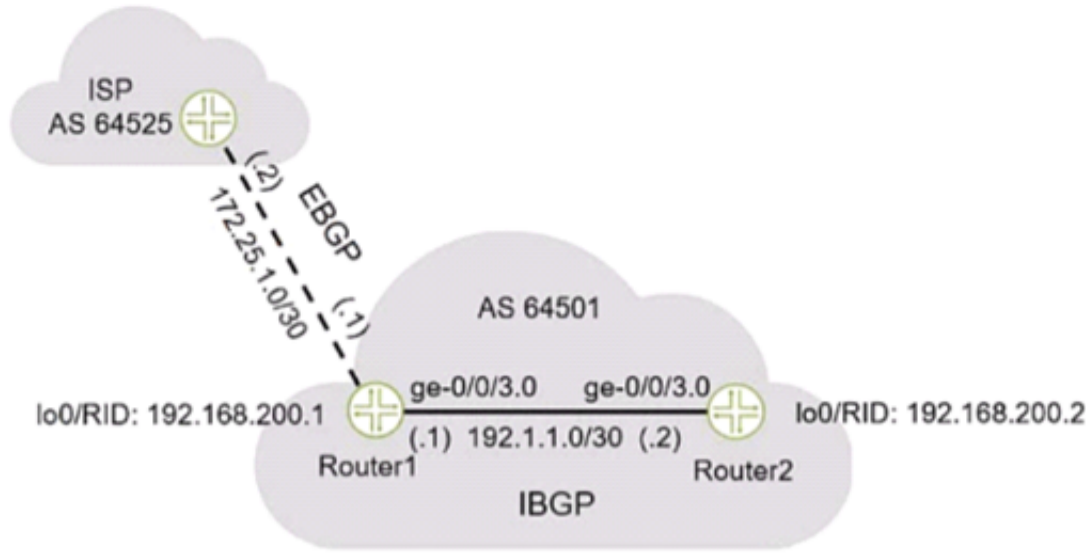
Which two statements are correct about the BGP next-hop attribute value? (Choose two.)

- A. By default, the next-hop value is changed across IBGP links.
- B. By default, the next-hop value is changed across EBGP links.
- C. By default, the next-hop value is not changed across IBGP links.
- D. By default, the next-hop value is not changed across EBGP links.

**Answer: A**

#### NEW QUESTION 8

Exhibit



```
[edit]
user@Router1# show protocols bgp
group External {
  peer-as 64525;
  neighbor 172.25.1.2;
}
```

Referring to the exhibit, what must be included in the Route1 configuration when establishing an EBGP session with the ISP?

- A. A local address must be specified.
- B. A local AS must be specified.
- C. The BGP session type internal must be specified.
- D. The BGP session type external must be specified.

**Answer: A**

**NEW QUESTION 9**

Exhibit

**Exhibit**

```
user@R2> show ospf route
Topology default Route Table:
Prefix          Path  Route  NH  Metric  NextHop  Nexthop
                Type  Type   Type
192.168.1.1     Intra AS BR   IP    1  ge-0/0/3.0  172.26.1.1
192.168.1.3     Intra Area BR IP    1  ge-0/0/1.0  172.26.2.2
172.18.1.0/24   Ext2  Network IP    0  ge-0/0/3.0  172.26.1.1
172.26.1.0/30   Intra Network IP    1  ge-0/0/3.0
172.26.2.0/30   Intra Network IP    1  ge-0/0/1.0
172.26.3.0/30   Intra Network IP   100  ge-0/0/2.0
172.26.4.0/30   Inter Network IP    2  ge-0/0/1.0  172.26.2.2
192.168.1.1/32  Ext2  Network IP    1  ge-0/0/3.0  172.26.1.1
192.168.1.2/32  Intra Network IP    0  lo0.0
192.168.1.3/32  Intra Network IP    1  ge-0/0/1.0  172.26.2.2
192.168.1.4/32  Inter Network IP    2  ge-0/0/1.0  172.26.2.2
```

Which prefix in the output shown in the exhibit is an external prefix injected by an OSPF router?

- A. 192.168.1.3
- B. 172.18.1.0/24
- C. 192.108.1.4
- D. 172.26.4.0/30

**Answer: D**

**NEW QUESTION 10**

The segment touting SRGB start label is 10,000 and the SRGB index range is 500. In this scenario, which two statements are correct? (Choose two.)

- A. The first usable label is 10,001.
- B. The last usable label is 10,501.
- C. The last usable label is 10,499.

D. The first usable label is 10,000.

Answer: CD

**NEW QUESTION 10**

Exhibit

```

Exhibit
user@R1> show configuration protocols mpls
label-switched-path R1_TO_R5 (
  to 192.168.1.5;
  no-ospf;
)
interface ge-0/0/0.0;
interface ge-0/0/1.0;

```

You have an established LSP between your R1 and R5 devices using the configuration shown in the exhibit. You are asked to ensure that MPLS labels are used to forward traffic by all devices within the LSP. Which action will accomplish this behavior?

- A. Configure the ultimate-hop-popping statement under the R1\_TO\_R5 label switched path on R1.
- B. Configure the explicit-null statement under the protocol mpls hierarchy on R1.
- C. Delete the no-ospf statement under the R1\_TO\_R5 label switched path on R1.
- D. Configure the install statement under the R1\_TO\_R5 label switched path on R1.

Answer: D

**NEW QUESTION 15**

Exhibit

```

Exhibit
[edit]
user@R1# show policy-options
policy-statement next-hop-self-policy (
  term alter-next-hop (
    then (
      next-hop self;
    )
  )
)
[edit]
user@R1# show protocols bgp
group int-64503 (
  type internal;
  local-address 192.168.100.1;
  neighbor 192.168.100.2;
)
group ext-64501 (
  type external;
  peer-AS 64501;
  neighbor 172.30.1.2;
)

```

Referring to the exhibit, where should next-hop-self-policy be applied to alter the next-hop value?

- A. The policy is applied as an export policy for the group int-64503.
- B. The policy is applied as an export policy for the group ext-64501.
- C. The policy is applied as an import policy for the group int- 64 503.
- D. The policy is applied as an Import policy for the group ext-64501.

Answer: D

**NEW QUESTION 20**

An OSPF router does not have a router ID configured.  
 In this scenario, which statement is correct about the router ID?

- A. The Junos OS will use the IP address assigned to the interface with the lowest MAC address.
- B. A router ID will not be assigned until it is manually configured.
- C. The Junos OS will use the IP address assigned to the loopback interface for the router ID.
- D. The Junos OS will use the IP address assigned to the Interface with the highest priority.

Answer: B

**NEW QUESTION 25**

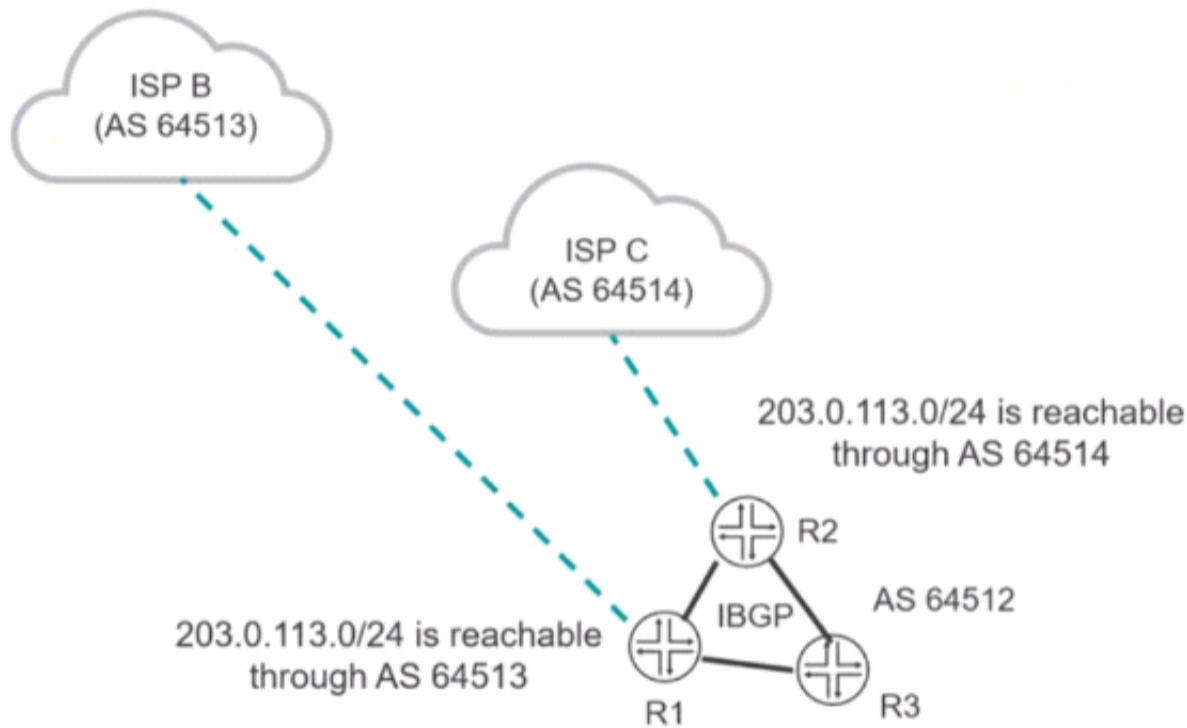
You are bringing a new network online with three MX Series devices enabled for STP. No root bridge priority has been configured. Which statement is true in this scenario?

- A. The device with the lowest MAC address will be elected as the root bridge.
- B. The device with the highest MAC address will be elected as the root bridge.
- C. The device with the lowest numerical lo0 IP address will be elected as the root bridge.
- D. The device with the highest numerical lo0 IP address will be elected as The bridge.

Answer: A

**NEW QUESTION 30**

Exhibit



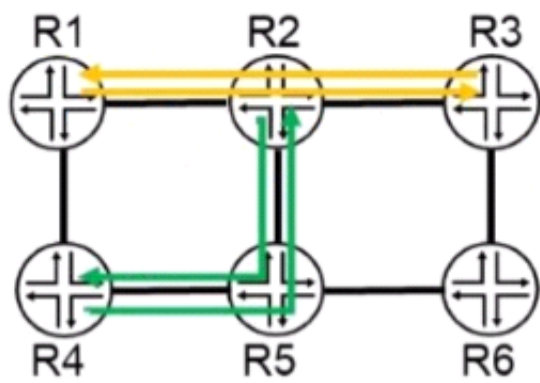
You want the R1 and R3 routers to forward traffic destined to the 203.0.113.0/24 network through R2. Which BGP attribute would you modify to satisfy this requirement?

- A. community
- B. origin
- C. MED
- D. local preference

Answer: C

**NEW QUESTION 32**

Exhibit



- RVSP LSP with 300 Mbps reserved
- RVSP LSP with 700 Mbps reserved

The exhibit shows a topology with 1 Gbps interfaces between routers, and four RSVP LSPs operating with the respective bandwidth reservations. Which path will be selected for a new LSP from R4 to R6 with a bandwidth reservation of 400 Mbps?

- A. R4 -> R1 -> R2 -> R5 -> R6
- B. R4 -> R5 -> R6
- C. R4 -> R5 -> R2 -> R3 -> R6
- D. R4 -> R1 -> R2 -> R3 -> R6

**Answer: A**

**NEW QUESTION 35**

Exhibit

```
user@router-re0> show system s?
```

Possible completions:

- |            |                                       |
|------------|---------------------------------------|
| services   | Show service applications information |
| snapshot   | Show snapshot information             |
| software   | Show loaded JUNOS extensions          |
| statistics | Show statistics for protocol          |
| storage    | Show local storage data               |

You have configured graceful RE switchover (GRES), however you cannot complete the show system switchover command. Referring to the exhibit, what is the problem?

- A. The command is only available if non-stop routing is enabled.
- B. The command is only available on the backup Routing Engine.
- C. The command is only available if a backup router is configured.
- D. The command is only available if graceful restart is enabled.

**Answer: B**

**NEW QUESTION 39**

What are two bridging concepts that are used to maintain an Ethernet switching table? (Choose two.)

- A. learning
- B. exporting
- C. aging
- D. timing

**Answer: A**

**NEW QUESTION 40**

Which statement describes integrated routing and bridging (IRB) interfaces?

- A. An IRB interface is an IP gateway for hosts of a bridge domain.
- B. An IRB interface assigns interfaces to VLANs.
- C. An IRB interface enables Layer 2 switching on the router.
- D. An IRB interface defines a bridge domain.

**Answer: C**

**NEW QUESTION 43**

Which two interface types are used as tunnel endpoints? (Choose two.)

- A. ae
- B. ip
- C. ge

D. gr

Answer: BC

**NEW QUESTION 48**

Exhibit



```

user@router> show mpls lsp ingress detail
Ingress LSP: 1 sessions
192.168.0.3
  From: 0.0.0.0, State: Dn, ActiveRoute: 0, LSPname: to-R3
  ActivePath: (none)
  LSPTYPE: Static Configured, Penultimate hop popping
  LoadBalance: Random
  Follow destination IGP metric
  Encoding type: Packet, Switching type: Packet, GPID: IPv4
  LSP Self-ping Status : Enabled
  Primary                               State: Dn
  Priorities: 7 0
  SmartOptimizeTimer: 180
  Flap Count: 0
  MBB Count: 0
  Will be enqueued for recomputation in 18 second(s).
  1 Mar  9 23:22:22.998 CSPF: could not determine self
user@router> show ted database
TED database: 0 ISIS nodes 0 INET nodes
[edit protocols]
user@router# show
ospf {
  area 0.0.0.0 {
    interface ge-0/0/2.0;
    interface ge-0/0/4.0;
  }
}
rsvp {
  interface all;
}
bgp {
  group Int {
    type internal;
    local-address 192.168.0.1;
    export nhs;
    neighbor 192.168.0.3;
  }
}
mpls {
  label-switched-path to-R3 {
    to 192.168.0.3;
  }
  interface all;
}

```

The LSP is not establishing correctly.  
 Referring to the exhibit, what should you do to solve the problem?

- A. Enable traffic engineering for the OSPF protocol.
- B. Enable traffic engineering for the IS-IS protocol.
- C. Enable traffic engineering for the BGP protocol.
- D. Enable traffic engineering for the RSVP protocol.

Answer: D

**NEW QUESTION 53**

Interface ge-0/0/0.0 connects your network to your ISP. You want to advertise this interface address as an Internal route in OSPF without creating a neighbor with your ISP.

In this scenario, how is this task accomplished?

- A. Remove interface ge-0/0/0.0 from OSPF.
- B. Create a generated route for Interface ge-0/0/0.0.
- C. Add ge-0/0/0.0 as a passive interface in OSPF.
- D. Configure a static route for Interface ge-0/0/0.0.

Answer: D

### NEW QUESTION 55

Exhibit

```
[edit]
user@switch# show interfaces ge-0/0/1
native-vlan-id 20;
unit 0 {
  family ethernet-switching {
    interface-mode trunk;
    vlan {
      members [ 10 20 ];
    }
  }
}
```

Referring to the exhibit, what will happen to untagged frames?

- A. The untagged frames are dropped.
- B. The untagged frames are load balanced between VLAN 10 and VLAN 20.
- C. The untagged frames are associated with VLAN 10.
- D. The untagged frames are associated with VLAN 20.

Answer: A

### NEW QUESTION 56

.....

## **Thank You for Trying Our Product**

### **We offer two products:**

1st - We have Practice Tests Software with Actual Exam Questions

2nd - Questions and Answers in PDF Format

### **JN0-363 Practice Exam Features:**

- \* JN0-363 Questions and Answers Updated Frequently
- \* JN0-363 Practice Questions Verified by Expert Senior Certified Staff
- \* JN0-363 Most Realistic Questions that Guarantee you a Pass on Your First Try
- \* JN0-363 Practice Test Questions in Multiple Choice Formats and Updates for 1 Year

**100% Actual & Verified — Instant Download, Please Click**  
**[Order The JN0-363 Practice Test Here](#)**